

E/F6-series, E/F7-series panel mount switches



Electrical rating and operating life

Switch series	Electrical rating according to EN 61058-1	Electrical rating according to UL 1054	Operating life at 40T85 (operations)	
			acc. to EN	acc. to UL
E65	N/A	16A, 125/250 VAC; 1/3HP, 125/250 VAC	N/A	6.000
E/F68	0,1(0,05)A, 125 VAC	0,1 A, 125 VAC	50.000	6.000*
E/F69	10(4)A, 250 VAC	10A, 125/250 VAC; 1/3HP, 125/250 VAC	50.000	6.000*
E/F77	0,1(0,05)A, 125VAC; 10(4)A, 250VAC	0,1 A, 125 VAC; 10A, 1/3 HP, 125/250 VAC	50.000	6.000*
E/F78	0,1(0,05)A, 125 VAC	0,1 A, 125 VAC	50.000	6.000*
E/F79	10(4)A, 250 VAC	10A, 125/250 VAC; 1/3HP, 125/250 VAC	50.000	6.000*
E75	N/A	16A, 125/250 VAC; 1/3HP, 125/250 VAC; 0,1 A VAC, 0,1 A VDC (optional); mixed ratings available upon request	N/A	6.000*

* Indicates 100K life available.

Technical specifications

Electrical

Ambient temperature -40°C to +85°C

Flammability rating UL 94 V-0

Materials

Housing Thermoplastic Polyester, Valox (single pole versions) Vandar (double pole versions)

Actuator E-series Thermoplastic Acetal
F-series Valox

Terminals* Brass

Moving blade Beryllium Copper

Spring Stainless steel

Contacts Silver-Cadmium Oxide (E65, E/F69, E75, E/F77, E/F79)
Gold Crosspoint (E/F68, E/F78)

* Common terminals are plated – the remaining two terminals are not plated.

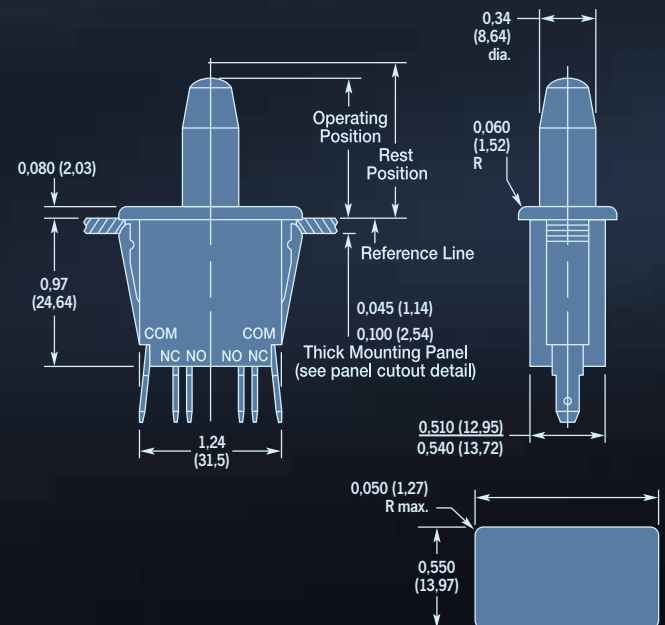
Features

- E/F6 – single pole versions
- E/F7 – double pole versions
- Choice of Momentary, Push-Pull (reset) and Cheat Interlock switches
- Snap-in panel mounting
- Long-life coil spring, snap-action mechanism
- Agency approved extended-life versions available
- VDE approval available on select models (F Series)
- Various terminal forms available (consult factory)



Dimensions in inch (mm)

Double pole version



Preferred parts

Type	Order code	Electrical rating		Terminals	Auxiliary actuator	Operating force (cN)	Operating point (mm)	Max. pretravel (mm)	Min. overtravel (mm)	Differential travel max. (mm)
		EN	UL							
Single pole version	E65-00A	-	16A, 125/250VAC; 1/3HP, 125/250VAC	Q.C. terminal 4,8x0,5mm	Standard (Momentary)	425	18,29-20,83	3,18	9,53	1,1
	E68-00A	-	0.1A, 125VAC	Q.C. terminal 4,8x0,5mm	Standard (Momentary)	425	18,29-20,83	3,18	9,53	1,1
	E68-30A	-	0.1A, 125VAC	Q.C. terminal 4,8x0,5mm	Standard (Momentary + Cheat interlock)	385/475	15,49-18,03/ 20,32-22,86	3,18	2,54	1,1
	E68-40A	-	0.1A, 125VAC	Q.C. terminal 4,8x0,5mm	Short actuator (Momentary)	425	7,62-10,16	3,18	4,45	1,1
	E69-00A alt. F69-00A*	10(4)A, 250VAC	10A, 125/250VAC 1/3HP, 125/250VAC	Q.C. terminal 4,8x0,5mm (alt. 4,8x0,8mm)	Standard (Momentary)	425	18,29-20,83	3,18	9,53	1,1
	E69-30A alt. F69-30A*	10(4)A, 250VAC	10A, 125/250VAC 1/3HP, 125/250VAC	Q.C. terminal 4,8x0,5mm (alt. 4,8x0,8mm)	Standard (Momentary + Cheat interlock)	385/475	15,49-18,03/ 20,32-22,86	3,18	2,54	1,1
	E69-40A	-	10A, 125/250VAC 1/3HP, 125/250VAC	Q.C. terminal 4,8x0,5mm	Short actuator (Momentary)	425	7,62-10,16	3,18	4,45	1,1
Double pole version	E78-00A	-	0.1A, 125VAC	Q.C. terminal 4,8x0,5mm	Standard (Momentary)	680	18,29-20,83	3,18	9,53	1,9
	E78-30A	-	0.1A, 125VAC	Q.C. terminal 4,8x0,5mm	Standard (Momentary + Cheat interlock)	567/757	15,49-18,03/ 20,32-22,86	3,18/3,94	2,54	1,9
	E78-40A	-	0.1A, 125VAC	Q.C. terminal 4,8x0,5mm	Short actuator (Momentary)	680	7,62-10,16	3,18	4,45	1,9
	E79-00A alt. F79-00A*	-	10A, 125/250VAC 1/3HP, 125/250VAC	Q.C. terminal 4,8x0,5mm (alt. 4,8x0,8mm)	Standard (Momentary)	680	18,29-20,83	3,18	9,53	1,9
	E79-30A alt. F79-30A*	10(4)A, 250VAC	10A, 125/250VAC 1/3HP, 125/250VAC	Q.C. terminal 4,8x0,5mm (alt. 4,8x0,8mm)	Standard (Momentary + Cheat interlock)	567/757	15,49-18,03/ 20,32-22,86	3,18/3,94	2,54	1,9
	E79-40A	10(4)A, 250VAC	10A, 125/250VAC 1/3HP, 125/250VAC	Q.C. terminal 4,8x0,5mm	Short actuator (Momentary)	680	7,62-10,16	3,18	4,45	1,9

* E-versions with UL approval ; F-versions with VDE approval

Single pole version

